



CNT - T2

**1 Safety Precaution**

Please read all precautionary information before use, to ensure proper usage.  
 ※ The specification and external dimensions etc of the Product contained in this Manual can be changed without prior notice for further improvement in the product performance.

**Warning**

- This Product is not designed to be used as a safety device. Please add a secondary safety device if this Product is used as a controller for a device that has the potential of causing personal injury, damage to the surrounding machine or damage to other properties.
- Do not perform any wiring, maintenance or repair work while the Product is connected to power.
- Check the terminal number before connecting to power.
- Do not disassemble, process, improve or repair the Product.

**Caution**

- Please understand how to use, safety regulations, or warnings before the equipment is installed. The equipment must be used within the provisions and capacity provided in the manual.
- Do not perform wiring and installation in motors with large inductive load and solenoid.
- Use the same line when extending sensors and do not use excessive length.
- Do not use parts that create an arc when switching nearby or the same power.
- The power line should be away from high-tension power cables and avoid installation in areas with high moisture, oil, and dust.
- Avoid installation in direct sunlight and areas exposed to rain.
- Avoid installation in areas with high magnetic, noise, vibration, and impact.
- The equipment should be installed sufficiently distant from strong alkali and strong acid substances.
- When the equipment is installed in the kitchen, do not spray water directly onto the equipment for cleaning.
- Do not install in places with high temperature/humidity that exceed the rate.
- Care should be provided not to disconnect sensor cables or cause damage.
- Sensor cables require significant distance from signal line, power, motive power, and load line and use independent pipes.
- No warranty service shall be provided if the product has been altered or tampered with.
- The mark on the wiring terminals is safety statement, such as warning or caution.
- Do not use the product near machines that generate strong high-frequency noise (high frequency welding machine, high-frequency sewing machine, high-frequency radios, large SCR controller).
- The product may cause injury or property damage if used for purposes not intended by the manufacturer.
- Do not leave the product within reach of children as the equipment is not a toy.
- Installation must be performed by professionals or qualified individual.
- The company shall not be held responsible for any damage caused by negligence of consumers or due to non-conforming of the warnings or caution statements aforementioned.

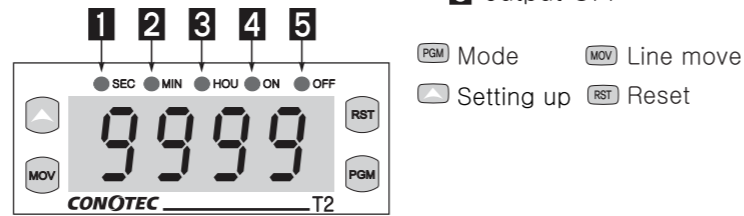
**Hazard**

- Hazard related to electric shock
  - Electric shock – Do not touch the AC terminal while current is flowing. It may cause electric shock.
  - Disconnect the input power before checking the input power.

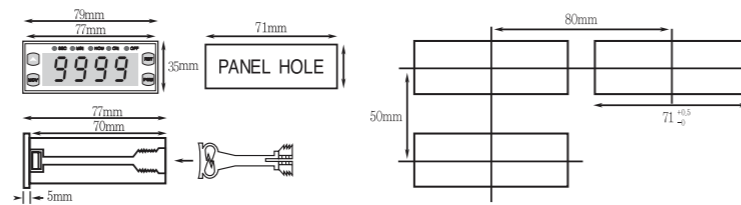
**2 Model Composition**

Model	Main Output	Range	Function
CNT-T2	Relay contact MAX : 250 VAC 2A	0 ~ 9999 hour	Single or Twin timer

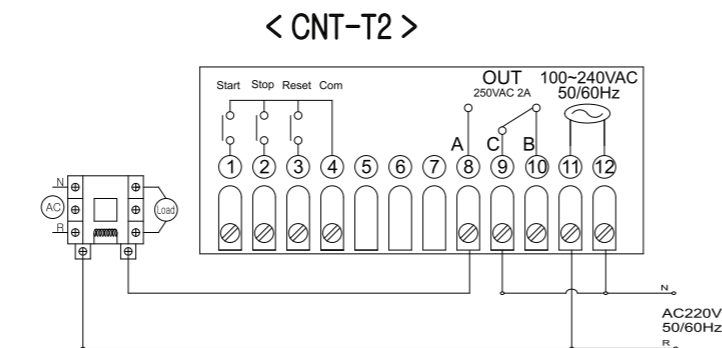
**3 Part name**



**4 External specification and panel processing dimension (Unit: mm)**



**5 Terminal Wiring**

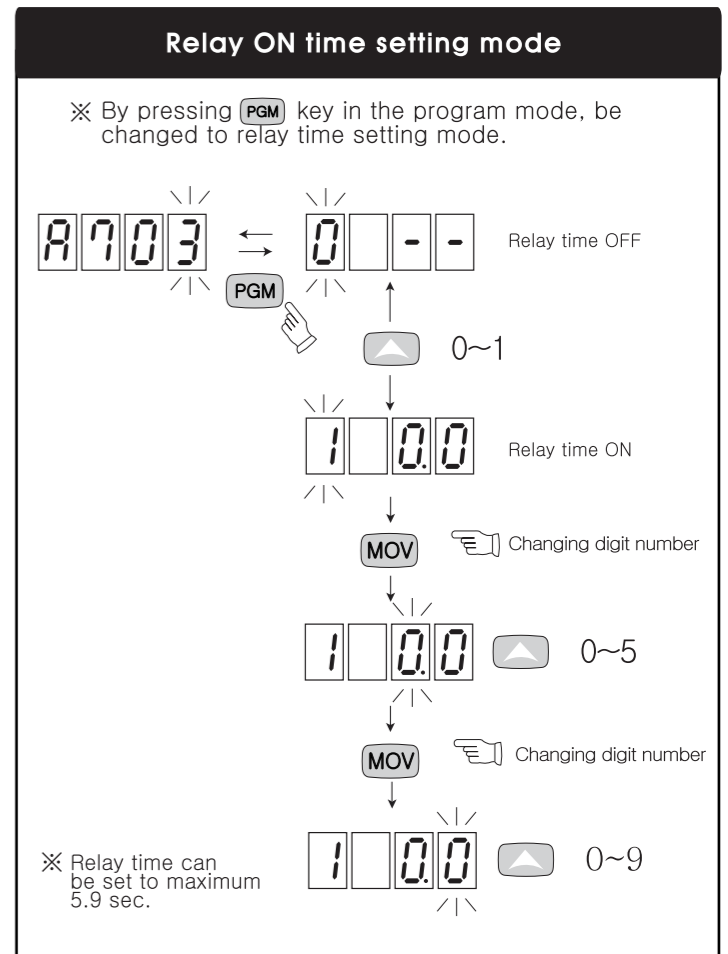
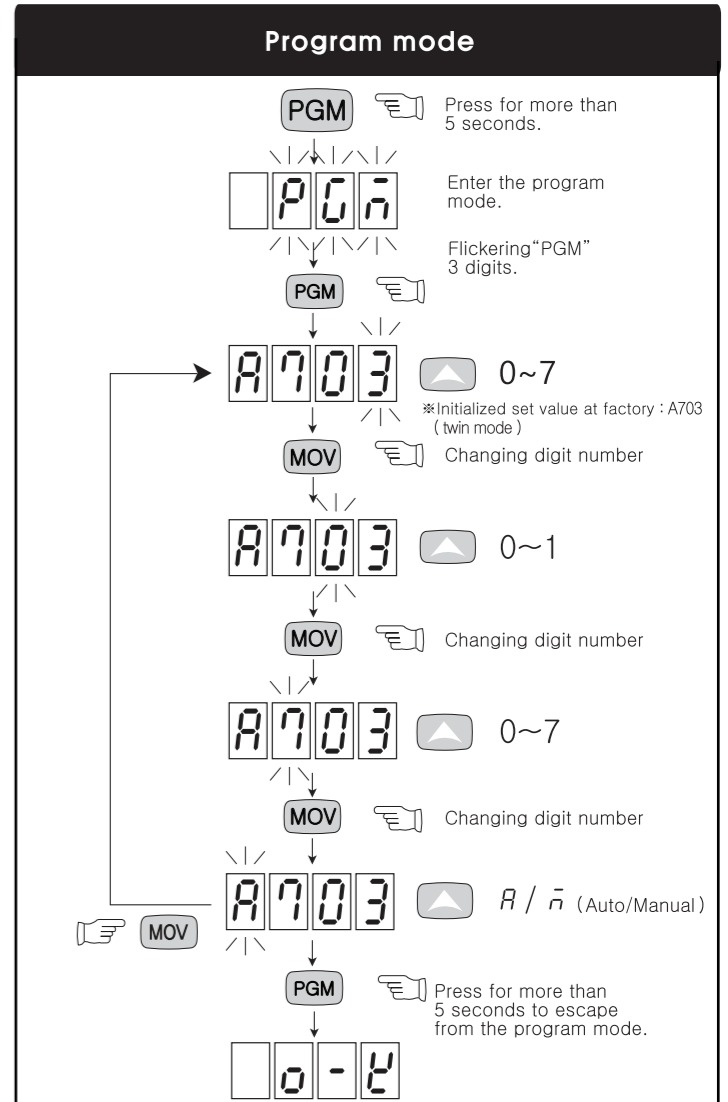
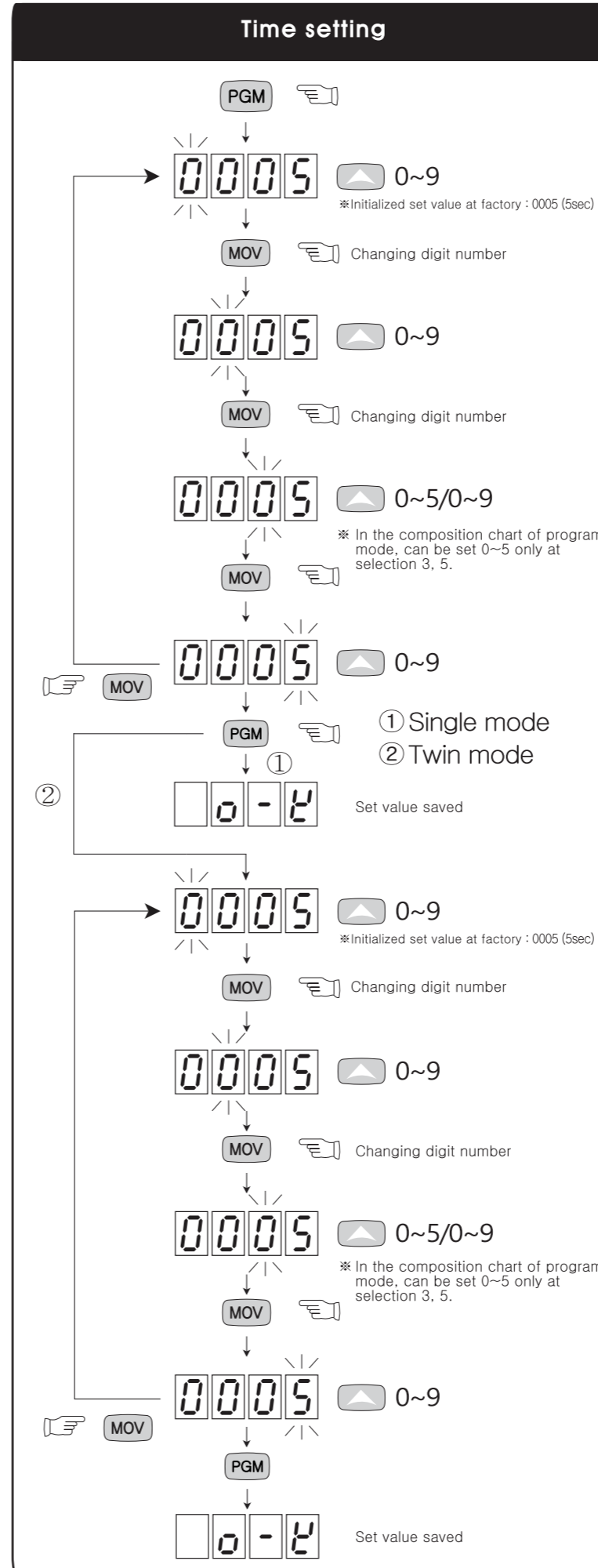


**6 Start mode**

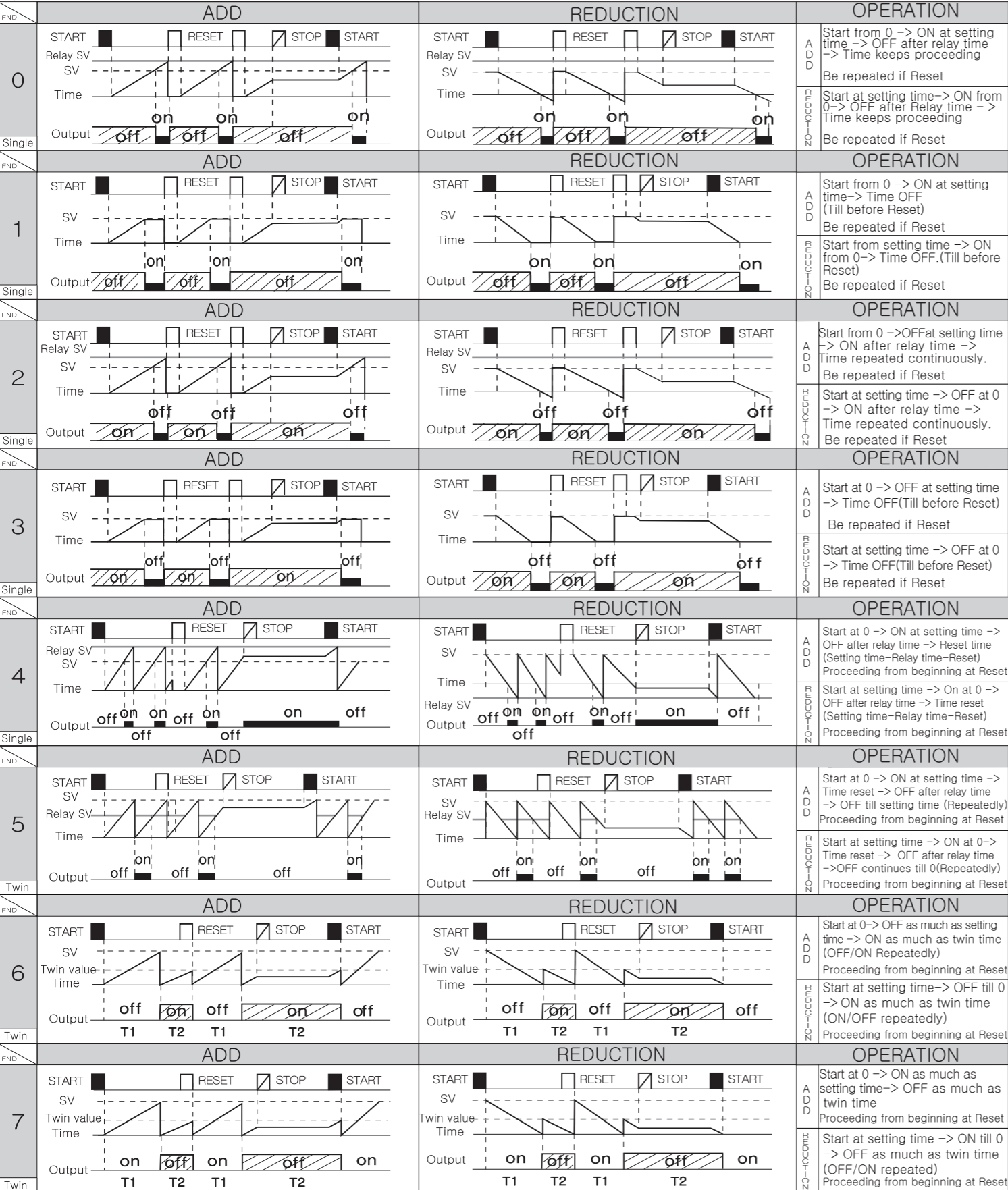
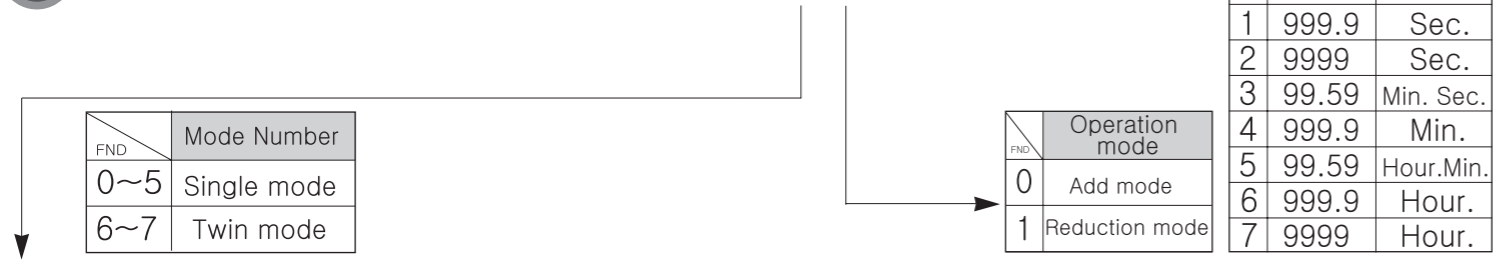
Mode	Function details	Name
A (AUTO)	<ul style="list-style-type: none"> <li>• Started at power input automatically</li> <li>• It automatically returns after black out (Same with a FOX-T2)</li> </ul>	Auto start mode
$\bar{A}$ (MANUAL)	<ul style="list-style-type: none"> <li>• Start with this Key <math>\uparrow</math></li> <li>• Started by sending signal when returning after blackout</li> </ul>	Manual start mode

※ Change the mode if needed because an initialized value is set as an A(auto start mode).

**7 Change of set value**



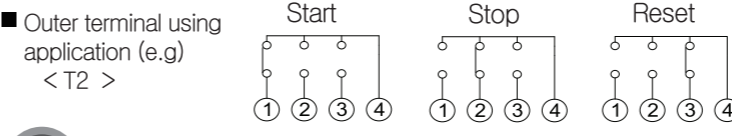
## 8 Composition chart for setting program mode



## 9 Functions of keys and outer terminal

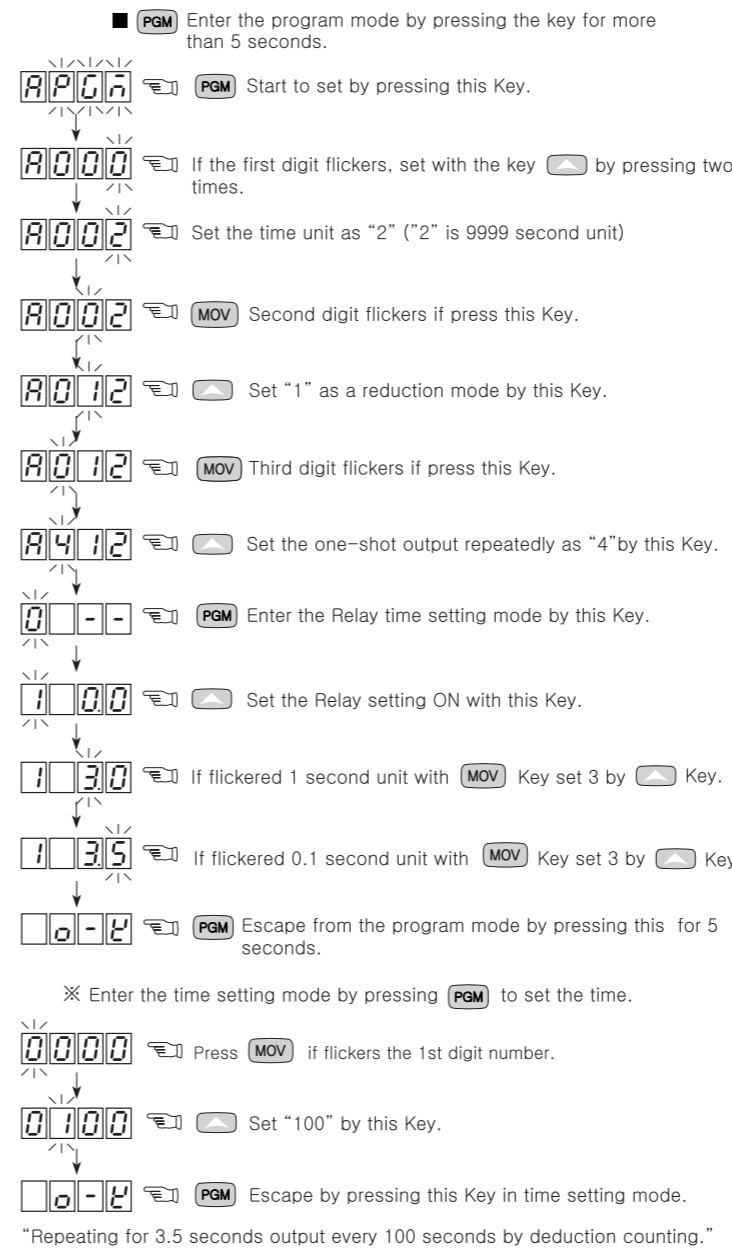
Keys	Functions
<b>PGM</b> Mode key	<ul style="list-style-type: none"> <li>Entered the program by pressing for 5 sec.</li> <li>Move between mode</li> </ul>
<b>MOV</b> Move rows	<ul style="list-style-type: none"> <li>Moving the setting value digit.</li> </ul>
<b>RST</b> Reset	<ul style="list-style-type: none"> <li>Initialized the time indication and output</li> </ul>
<b>▲</b> Setting UP	<ul style="list-style-type: none"> <li>Operated by the saved set value.</li> <li>Increasing the setting value</li> </ul>

Outer terminal	Explanations
START	Start to operate
STOP	Stop the operation
RESET	Initialize the operation

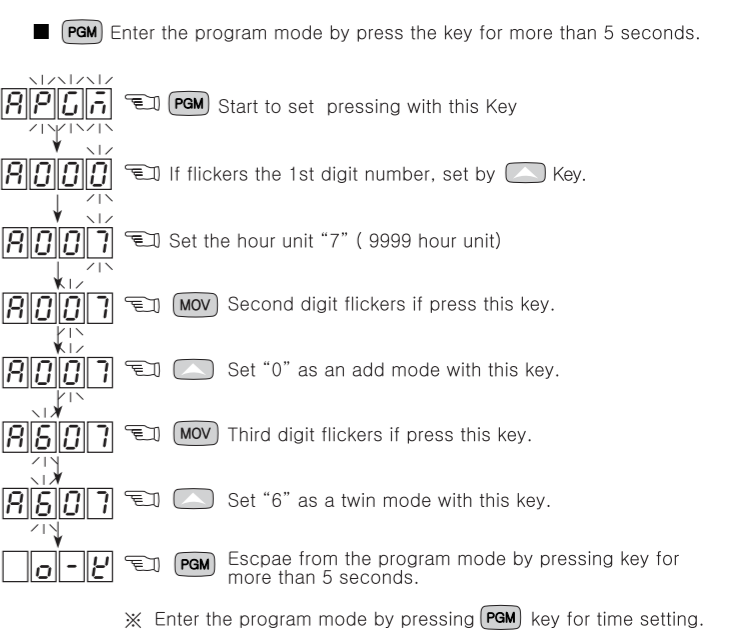


## 10 Example of T2 application

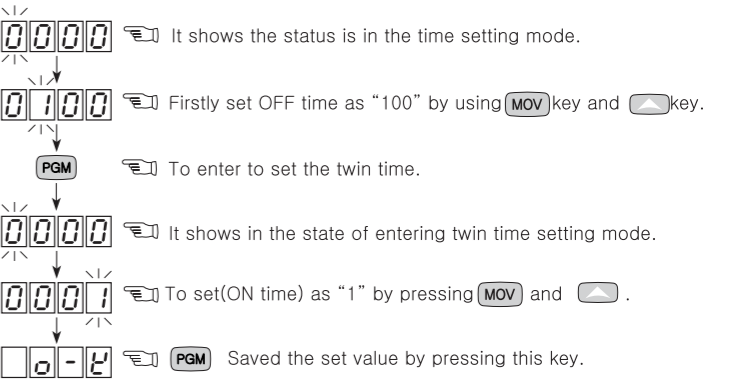
In case of a control machine that needs one-short output (e.g : ON for 3.5 seconds) repeatedly every 100 seconds by decrease? (Use output with decrease single mode)



<Ex2> In case of the control machine that needs ON output for 1 hour every 100 hours by increase ? (Use the increase twin mode)



"Repeating OFF 100 hours / ON 1 hour by add counting."



"Repeating OFF 100 hours / ON 1 hour by add counting."

## 11 Simple Fault Diagnosis method

In case ERROR is displayed during product operation

**Err** means damage to the data memory element due to powerful noise impact from outside while using the product. In such a case, contact our company for customer service. While the controller is equipped with supplementary measures for outside noise, the product inside may be damaged if noise in 2KV level is applied to the product.

\* The above product specifications are subject to change without advanced notice to improve the performance. Please be well-acquainted with and keep the above mentioned cautions.  
 \* H.Office : 56, Ballyongsandan 1-ro, Janggan-eup, Gijang, Busan, Republic of Korea  
 FACTORY : 56, Ballyongsandan 1-ro, Janggan-eup, Gijang, Busan, Republic of Korea  
 Sales : 051-819-0425 ~ 0427  
 Web-site : www.conotec.co.kr  
 e-mail : conotec@conotec.co.kr  
 \* This device works proper operation with:  
 Surround Temp. : 0°C ~ 60°C  
 Surrounding Humi. : below 80%RH  
 Regular power : 220VAC ±10% 50/60Hz  
 \* Main product and development  
 -Digital temp./humi. controller  
 -Digital timer,Current/Voltage meter  
 -Development of other products.